



SuperWHAM!® 80 DF - CA

Propanil Herbicide

For Postemergence Control of Broadleaf and Grass Weeds in Rice Fields

Active Ingredient:

Propanil: 3',4'-Dichloropropionanilide.....80.00%

Other Ingredients:.....20.00%

TOTAL:100.00%

This product contains 0.8 lb. of 3', 4' Dichloropropionanilide (Propanil) per pound of formulated product

EPA Reg. No. 71085-6

EPA Est. No. 62171-MS-1; 37429-GA-1; 46193-GTM-1; 68848-BRA-1; 5905-IA-1; 5905-GA-1; 1812-GA-1

KEEP OUT OF REACH OF CHILDREN CAUTION

Si usted no entiende la etiqueta, busque a alguien para que se la explique a usted en detalle. (If you do not understand the label, find someone to explain it to you.)

FIRST AID

If Swallowed:

- Call a poison control center or doctor immediately for treatment advice.
- Have person sip a glass of water if able to swallow.
- Do not induce vomiting unless told to by a poison control center or doctor. Do not give anything by mouth to an unconscious person.

If in Eyes:

- Hold eye open and rinse slowly and gently with water for 15-20 minutes. Remove contact lenses, if present, after the first 5 minutes, then continue rinsing.
- Call a poison control center or doctor for treatment advice.

If on Skin or clothing:

- Take off contaminated clothing.
- Rinse skin immediately with plenty of water for 15-20 minutes.
- Call a poison control center or doctor for treatment advice.

If Inhaled:

- Move person to fresh air.
- If person is not breathing, call 911 or an ambulance, then give artificial respiration, preferably mouth-to-mouth if possible.
- Call a poison control center or doctor for further treatment advice.

Have the product container or label with you when calling a poison control center or doctor or

going for medical treatment.

AGRICULTURAL CHEMICAL
DO NOT SHIP OR STORE WITH FOODS, FEEDS, DRUGS, OR CLOTHING.

**FOR CHEMICAL SPILL, LEAK, FIRE OR
EXPOSURE, CALL GLOBAL LOGISTICS
@ (504) 439-3140 OR (727) 374-5705**

MANUFACTURED FOR:
RICECO LLC
MEMPHIS, TN 38137

NET CONTENTS: 50 LBS

**PRECAUTIONARY STATEMENTS
HAZARDS TO HUMAN AND DOMESTIC ANIMALS**

CAUTION

Harmful if swallowed, absorbed through skin or inhaled. Causes moderate eye irritation. Avoid breathing spray mist or dust. Avoid contact with skin, eyes or clothing.

PERSONAL PROTECTIVE EQUIPMENT (PPE)

Some materials that are chemical-resistant to this product are made of any waterproof material. If you want more options, follow the instructions for category A on an EPA chemical resistant category selection chart.

Mixers, loaders, and other handlers exposed to the concentrate must wear:

- Coveralls over long-sleeve shirt and long pants,
- Chemical-resistant gloves made of any waterproof materials,
- Chemical-resistant footwear plus socks,
- Chemical-resistant headgear, if overhead exposure, and
- Chemical-resistant apron.

Applicators and other handlers exposed to the dilute must wear:

- Long-sleeved shirt and long pants,
- Chemical-resistant gloves made of any waterproof materials,
- Shoes plus socks.

See Engineering Controls for additional requirements and options.

USER SAFETY REQUIREMENTS:

Follow manufacturer's instructions for cleaning/maintaining PPE. If no such instructions for washables exist, use detergent and hot water. Keep and wash PPE separately from other laundry.

Discard clothing or other absorbent materials that have been drenched or heavily contaminated with this product's concentrate. Do not reuse them.

ENGINEERING CONTROL STATEMENTS:

When handlers use closed systems, enclosed cabs, or aircraft in a manner that meets the requirements listed in the Worker Protection Standard (WPS) for agricultural pesticides [40 CFR 170.240(d) (4-6)], the handler PPE requirements may be reduced or modified as specified in the WPS. Water-soluble packets when used correctly qualify as a closed mixing/loading system under the WPS.

Human flagging prohibited. Flagging to support aerial application is limited to use of the Global Positioning System (GPS) or mechanical flaggers.

Pilots must use an enclosed cockpit that meets the requirements listed in the Worker Protection Standard (WPS) for agricultural pesticides [40 CFR 170.240(d)(6)].

USER SAFETY RECOMMENDATIONS

Users should:

- Wash hands before eating, drinking, chewing gum, using tobacco or using the toilet.
- Remove clothing/PPE immediately if pesticide gets inside. Then wash thoroughly and put on clean clothing.
- Remove PPE immediately after handling this product. Wash the outside of gloves before removing. As soon as possible, wash thoroughly and change into clean clothing.

ENVIRONMENTAL HAZARD

This product is toxic to fish and aquatic invertebrates. For terrestrial uses, do not apply directly to water, or to areas where surface water is present or to intertidal areas below the mean high water mark. Do not contaminate water when disposing of equipment washwaters or rinsate. Drift and runoff from treated areas may be hazardous to aquatic organisms in neighboring areas. Do not contaminate water intended for irrigation or domestic purposes. Do not apply when weather conditions favor drift from area to be treated.

This chemical has properties and characteristics associated with chemicals detected in groundwater. The use of this chemical prior to flooding may result in shallow groundwater contamination due to cracks in the subsoil of the rice paddy.

This product may contaminate water through runoff following rainfall events and by seepage through levees. This product has a high potential for runoff. Runoff of this product will be reduced by avoiding applications when rainfall is forecasted to occur within 48 hours. Levees should be constructed with adequate time prior to chemical application so that they are compacted to reduce seepage and to hold a 3-6 inch flood.

DIRECTIONS FOR USE

It is a violation of Federal Law to use this product in a manner inconsistent with this labeling. Do not apply this product in a way that will contact workers or other persons, either directly or through drift. Only protected handlers may be in the area during application. For any requirements specific to your State or Tribe, consult the agency responsible for pesticide regulation.

AGRICULTURAL USE REQUIREMENTS

Use this product only in accordance with its labeling and with the Worker Protection Standard 40 CFR Part 170. This Standard contains requirements for the protection of agricultural workers on farms, forests, nurseries and greenhouses and handlers of agricultural pesticides. It contains requirements for training, documentation, notification and emergency assistance. It also contains specific instructions and exceptions pertaining to the statements on this label about personal protective equipment (PPE) and restricted-entry interval. The requirements in this box only apply to uses of this product that are covered by the Workers Protection Standard.

Do not enter or allow worker entry into treated areas during the restricted entry interval (REI) of 24 hours.

PPE required for early entry to treated areas that is permitted under the Worker Protection Standard and that involves contact with anything that has been treated, such as plants, soil or water, is:

- Coveralls
- Chemical-resistant gloves such as or made out of any waterproof material,
- Chemical-resistant footwear plus socks, and
- Protective eyewear

STORAGE AND DISPOSAL

Do not contaminate water, food, or feed by storage and disposal.

PESTICIDE STORAGE: Open dumping is prohibited. Do not store this product near fertilizers, seeds, insecticides, or fungicides. Palletized product should not be stacked more than 3 units high. Reclose all partially used containers by tying bag top shut. Keep containers closed when not in use. Damaged or leaking containers, which contain product, that cannot be used immediately should be transferred to suitable sound containers and properly marked. Any spilled material should be thoroughly swept up and transferred to the new container or disposed of as indicated under 'Pesticide Disposal'.

For safety and prevention of unauthorized use, all pesticides should be stored in locked facilities. To prevent accidental misuse, different pesticides should be stored in separate areas with enough distance between to provide clear identification.

Opened, partially used pesticides should be stored in original containers when possible. When transfer to another container is necessary because of leakage or damage, carefully mark and identify contents of new container. Keep containers closed when not in use.

PESTICIDE DISPOSAL: Pesticide wastes are toxic. Improper disposal of excess pesticide, spray mixture or rinsate is a violation of Federal law. Wastes resulting from the use of this product must be disposed of on site or at an approved waste disposal facility. If these wastes cannot be disposed of by use according to label instructions, contact your state pesticide control agency or the hazardous waste representative at the nearest EPA regional office for guidance.

CONTAINER HANDLING:

Nonrefillable Container: Do not reuse or refill this container. Offer for recycling, if available. Completely empty bag into application equipment. Then dispose of empty bag in a sanitary landfill or by incineration or, if allowed by state and local authorities, by burning. If burned, stay out of smoke.

GENERAL PRECAUTIONS AND RESTRICTIONS

DO NOT plant or transplant crops in the treated area for at least 60 days following an application of this product.

DO NOT apply more than 7.5 lbs of **SuperWHAM!® 80 DF -CA** (6.0 lbs active ingredient) per acre per application. Do not apply more than 10 lbs of **SuperWHAM! 80 DF -CA** (8.0 lbs active ingredient) per acre per season.

DO NOT apply this product through any type of irrigation system.

Application to fields where commercial catfish farming is practiced and draining water from treated fields into areas where catfish farming is practiced is prohibited.

DO NOT apply when wind conditions will allow drift to adjacent, susceptible crops such as beans, soybeans, cotton, safflower, cucurbits, vegetables, orchards (such as almonds, prunes, and grapes) and other sensitive crops.

Water drained from treated rice fields must not be used to irrigate other crops or be released within 1/2 mile upstream of a potable water intake in flowing water (i.e. river, stream, etc.) or within 1/2 mile of a potable water intake in a standing body of water such as a lake, pond or reservoir.

Do not fish or commercially grow fish, shellfish or crustaceans on treated acres during the 12 months following treatment.

Do not apply this product (directly or indirectly) to any crop except rice, but DO NOT use on wild rice (*Zizania* spp.).

Do not graze treated fields nor feed treated forage within 60 days of the last application.

Do not apply within 14 days before or after insecticide applications because serious damage to rice may occur.

WHERE TO USE

RiceCo's SuperWHAM! 80 DF - CA is used for postemergence control of broadleaf and grass weeds in RICE fields.

WEEDS CONTROLLED

Barnyardgrass (watergrass)	<i>Echinochloa crus-gali</i> , <i>E. colonum</i>
Brachiaria (signalgrass)	<i>Brachiaria platyphytia</i>
Coffeeweed	<i>Sesbania herbacea</i>
Croton	<i>Croton</i> spp.
Curly indigo	<i>Aeschynomene virginica</i>
Foxtail	<i>Setaria</i> spp.
Goosegrass	<i>Eleusine indica</i>
Gulf cockspur	<i>Echinochloa crus-pavonis</i>
Mexicanweed	<i>Caperonia castanaefolia</i>
Millet (Texas)	<i>Urochloa texana</i>
Paragrass	<i>Urochloa mutica</i>
Pigweed	<i>Amaranthus</i> spp.
Ricefield bulrush	<i>Scurpus mucronatus</i>
Smallflower umbrella plant	<i>Cyperus difformis</i>
Sourdock	<i>Rumex crispus</i>

Spearhead
Wiregrass.

Phacelia hastata
Aristida spp.

(**SuperWHAM! 80 DF -CA** will not control arrowhead, Bermudagrass, cattail, ducksalad, Johnsongrass, nutgrass, red rice and sprangletop.)

USE INFORMATION

Several important factors should be taken into account to achieve a high efficiency of selective weed control with **SuperWHAM! 80 DF -CA**. These include uniform application, growth stage and weather conditions. To assure uniform application, mix the prescribed amount of **SuperWHAM! 80 DF -CA** with a sufficient volume of water to provide thorough coverage of target area. For aerial application use approximately 10 gallons of water or for surface (ground) applications 20-30 gallons of water per acre at sufficient spray pressure. Agitate tank mixes thoroughly and continuously. Avoid over and under application. Do not apply when weather conditions favor drift from area to be treated.

Growth stage of weeds is very important. Best results for selective weed control are obtained when most grasses have reached the 1 to 3 leaf stage. Proper field preparation is essential to ascertain a relatively clod free and level surface to obtain uniform flood levels and growth. Fields may be flushed prior to treatment to produce uniform and vigorous grass germination and growth. Drain water from fields prior to applying **SuperWHAM! 80 DF -CA**. Apply using higher rates to control larger grasses or exposed weeds when rice fields are not completely drained. Inspect rice fields regularly to select the correct application time.

Read label instructions before application. This product is to be dispensed using only the RiceCo Delivery System I (RDS) or other EPA approved closed system. For instructions see the RiceCo Delivery System I section. When tank mixing, always read all individual manufacturers' labels. In interpreting all labels for the tank mixture, the most restrictive situations must apply.

WEATHER CONDITIONS:

Weather conditions must be observed closely. Under cool weather conditions, higher rates are required to achieve satisfactory control. Avoid application if rain threatens within 6-8 hours, or if wind velocities are high enough to cause drift and irregular spray patterns.

Temperature: Temperatures at and before application affect product activity in controlling target weeds. Applications should be made when daily maximum temperatures are between 75°F and 100°F. Control decreases when temperatures below 75°F and increases with temperatures above 75°F.

Application Timing

SuperWHAM! 80 DF -CA normally requires 8 hours of DIRECT sunlight for absorption into target weeds. However many atmospheric and environmental factors can affect absorption into the target weed. It is highly recommended that application of **SuperWHAM! 80 DF -CA** be planned so that the applied product remains in contact with the leaf surfaces for at least 48 hours prior to rainfall. Historically, morning applications of propanil products including

SuperWHAM! 80 DF -CA have produced better results in weed control.

Wind

Although **SuperWHAM! 80 DF -CA** is less susceptible to drift than solvent-based propanil products, application should be avoided if wind velocity is high enough to cause drift or irregular spray patterns.

Relative Humidity

SuperWHAM! 80 DF -CA is a contact herbicide; therefore, herbicidal activity is affected by humidity. High humidity and dew aid in weed control by allowing the product to remain in solution longer on the leaf surface. Low humidity decreases plant activity and thus reduces product absorption. During periods of low humidity, higher spray volumes, 12-15 gallons per acre should be used when applied aerially.

SPRAY DRIFT MANAGEMENT

Avoiding spray drift at the application site is the responsibility of the applicator and the grower. The interaction of many equipment and weather-related factors determines the potential for spray drift. The applicator and grower are responsible for considering all these factors when making application decisions.

Additional requirements for ground applications:

Apply using a nozzle height of no more than 4 feet above the ground or crop canopy.

IMPORTANCE OF DROPLET SIZE: The most effective way to reduce drift potential is to apply large droplets (>150-200 microns). Apply as a medium or coarser spray (ASAE standard 572). The best drift management strategy is to apply the largest droplets that provide sufficient coverage and control. The presence of sensitive species nearby, the environmental conditions, and pest pressure may affect how an applicator balances drift control and coverage. Applying large droplets reduces drift potential, but will not prevent drift if applications are made improperly or under unfavorable environmental conditions. (See Wind, Temperature and Humidity, and Surface Temperature Inversions sections of this label.)

In California, applications of this product must conform to the conditions set forth in the California Code of Regulations, Section 6462.

Controlling Droplet Size

Volume: Use high flow rate nozzles to apply the highest practical spray volume. Nozzles with higher rated flows produce larger droplets.

Pressure: Do not exceed the nozzle manufacturer's recommended pressures. For many nozzle types, lower pressure produces larger droplets. When higher flow rates are needed, use higher flow rate nozzles of increasing pressure.

Number of nozzles: Orienting nozzles so that the spray is released parallel to the airstream produces larger droplets than other orientations and is the recommended practice. Significant deflection from horizontal will reduce droplet size and increase drift potential.

Nozzle Type: Use nozzle type that is designed for the intended application. With most nozzle types, narrow spray angles produce larger droplets. Consider using low-drift nozzles. Solid stream nozzles oriented straight back produce the largest droplets and the lowest drift.

Boom Length: The boom length must not exceed 75% of the wingspan or 90% of the rotor blade diameter.

Application Height: Do not release spray at a height greater than 10 feet above the ground or crop canopy. Making applications at the lowest height that is safe reduces exposure of droplets to evaporation and wind.

Swath Adjustment: When applications are made with a cross-wind, the swath will be displaced downwind. The applicator must compensate for this displacement at the downwind edge of the application area by adjusting the path of the aircraft upwind. Swath adjustment distance should increase with increasing drift potential (higher wind, smaller drops, etc.).

WIND

Drift potential is lowest between wind speeds of 2-10 mph. However, many factors, including droplet size and equipment type determine drift potential at any given speed. Apply only when wind speed is less than or equal to 10 mph at the application site. Applications should be avoided below 2 mph due to variable wind direction and high inversion potential. NOTE: Local terrain can influence wind patterns. Every applicator should be familiar with local wind patterns and how they affect spray drift.

TEMPERATURE AND HUMIDITY

When making applications in low relative humidity, set up application equipment to produce larger droplets to compensate for evaporation. Droplet evaporation is most severe when conditions are both hot and dry.

TEMPERATURE INVERSIONS

Do not make any type of application into temperature inversions. Temperature inversions restrict vertical air mixing, which causes small-suspended droplets to remain in a concentrated cloud. This cloud can move in unpredictable directions due to the light variable winds common during inversions. Temperature inversions are characterized by increasing temperatures with altitude and are common on nights with limited cloud cover and light to no wind. They begin to form as the sun sets and often continue into the morning. Their presence can be indicated by ground fog; however, if fog is not present, inversions can also be identified by the movement of smoke from a ground source or an aircraft smoke generator. Smoke that layers and moves laterally in a concentrated cloud (under low wind conditions) indicates an inversion, while smoke that moves upward and rapidly dissipates indicates good vertical air mixing.

SENSITIVE AREAS

Do not apply by air if drift can occur to sensitive nontarget crops or plants that are within 100 feet of the application site. Sensitive areas include, but are not limited to, residential areas, bodies of water, known habitat for threatened or endangered species, and non-target crops.

EMERGENCY RELEASE PROVISIONS

For rice in California and all other parts of the US not mentioned above – Flood water must be held for 7 days after application, unless excessive rainfall completely submerges the rice crop and forces premature release

ADJUVANT AND APPLICATION AIDS:

When **SuperWHAM! 80 DF -CA** is used alone (not in combination with any other postemergent rice herbicides), a low viscosity crop oil concentrate or surfactant may be used to improve wetting of foliage and weed control. Use of a crop oil concentrate is recommended when application is made during cool weather conditions or unstable weather conditions that may produce rain. Under adverse weather conditions, the addition of a crop oil concentrate when tank mixing **SuperWHAM! 80 DF-CA** and other rice herbicides for application should be considered. The addition of a crop oil concentrate at 1 to 2 pints per acre or a spray adjuvant such as an 80% active nonionic surfactant at a rate of 1 to 2 pints per 100 gallons of spray mixture is recommended. Consult product labels for adjuvant recommendations. The use of a suitable crop oil concentrate or surfactant does not significantly increase injury to rice (leaftip burn). Consult Extension Service for detailed application advice.

RiceCo Delivery System I

When To Use

This product is to be dispensed using only the RiceCo Delivery System I (RDS) or other EPA approved closed system.

RDS

The RDS is comprised principally of three parts:

- 1) A chemical resistant, clear flexible hose with a 2 inch inside diameter for the transfer of dry flowable product;
- 2) An aluminum tank assembly that is securely fitted to a mixing tank and to one end of the hose; and
- 3) A product bag connector assembly that is securely fitted to the other end of the hose. The product bag connector assembly includes an aluminum coupler which is designed to readily connect to a threaded fitment attached to the bag containing the product. The connector assembly further includes a plug that is securely screwed into the coupler.

Where To Obtain

To obtain a RDS, contact RiceCo LLC Customer Service at (901)260-5401 or info@RiceCoLLC.com.

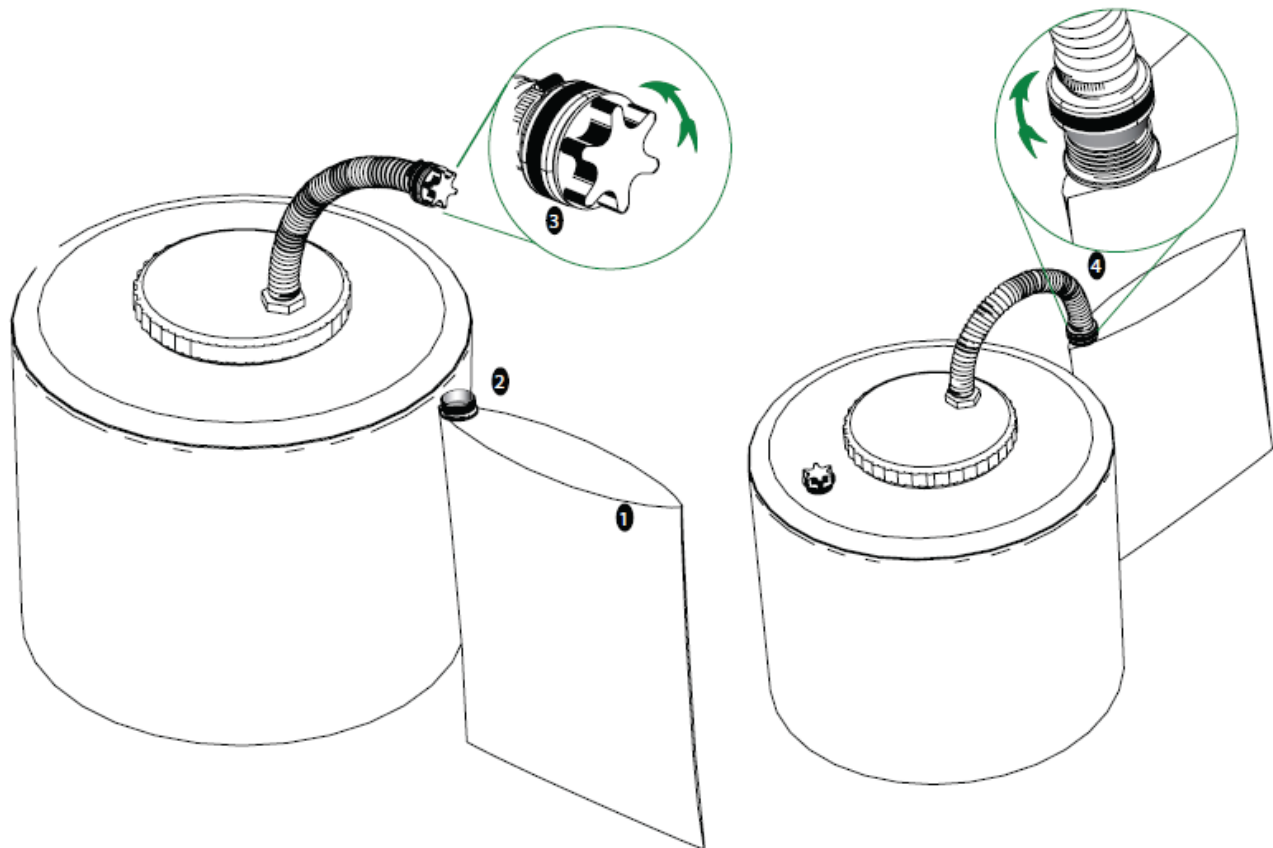
How To Use

Securely fit the RDS to the mixing tank assuring a tight fit to the tank with no leaks or gaps in accordance with the following instructions:

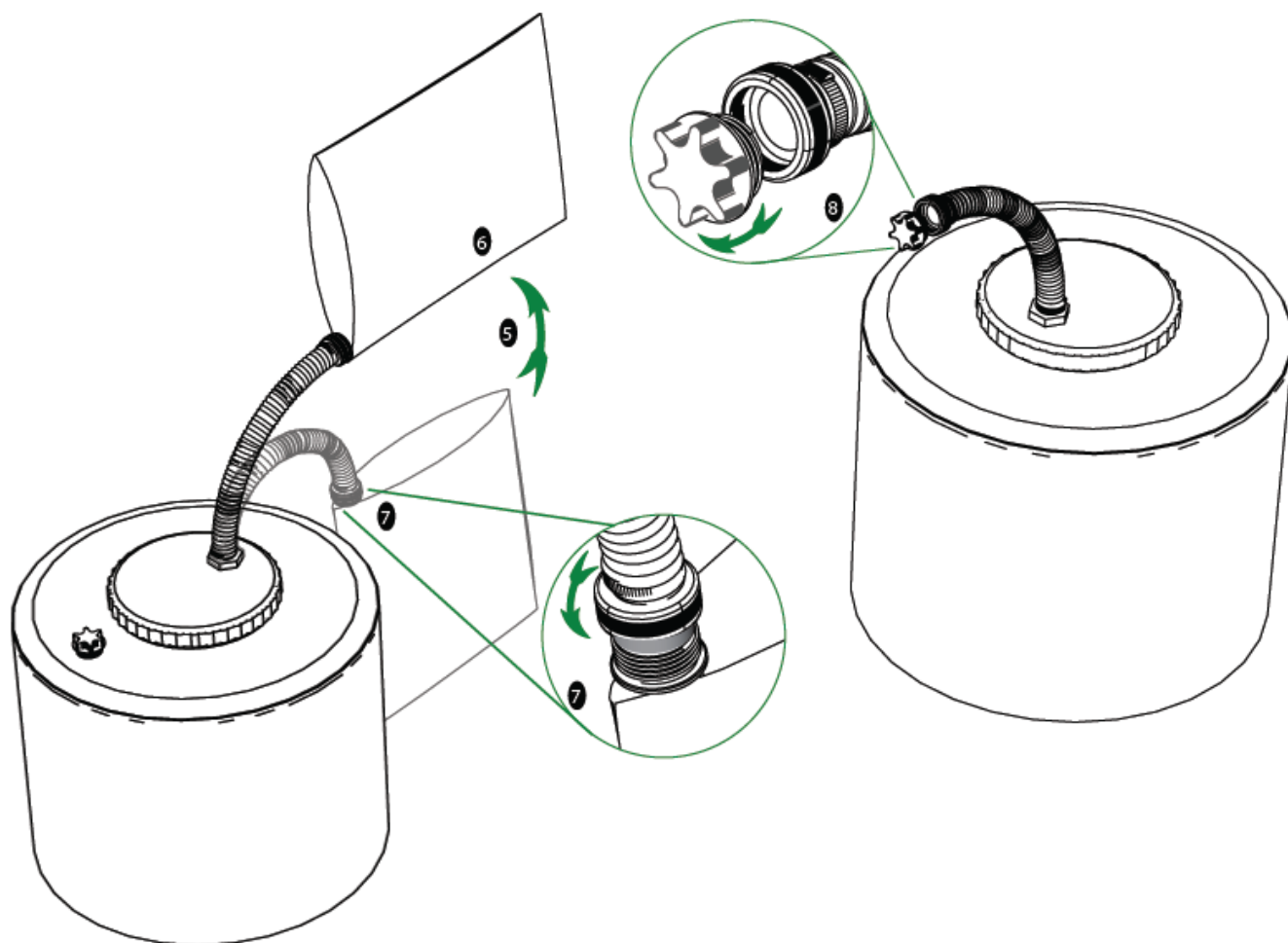
1. Place aluminum insert through a gasket with threads and hose recesses up through 2 1/8" hole tank or tank lid. Attach aluminum nut to threads on aluminum insert until tightened to the outer surface of tank and gasket has sealed the tank. Then push on the 2" Tiger Flex® hose until it is seated at the nut and tighten the hose clamp.
2. Aluminum bag connector insert is inserted through hose clamp and bag connector threaded ring and into the 2" Tiger Flex until it is seated and then tighten hose clamp. The bag connector threaded ring will receive the connector gasket with keeper tabs locking under the treads, and then will connect to the bag fitment to receive product or when not in use ensure that the aluminum bag assembly plug is securely in place.

See the instruction sheet that accompanies the RDS.

After the RDS is installed on the mixing tank, proceed with the following illustrated dispensing steps:



1. Place the bag upright so it is standing with the bag fitment facing upward.
2. Remove the tamper evident cap from the bag fitment.
3. Remove the bag connector assembly plug from hose, leaving in place the connector gasket secured by tabs.
4. Connect bag connector assembly securely to the bag fitment. The coupler is specially threaded and designed to readily connect to the product bag fitment.



5. Lift bag to allow product to dispense thru RDS into mixing tank.
 6. Completely empty bag and visually ensure that no product is left in the RDS.
 7. Return bag to an upright position and disconnect hose coupler from bag fitment.
 8. Immediately attach plug back on bag connector assembly of hose insuring the connector gasket and plug seal.
 9. Reattach bag cap to the bag fitment.
 10. Properly dispose of bag (refer to Storage and Disposal section of this label).
- Attaching the RDS properly should result in a tight fit to the tank with no apparent leaks or gaps.

Replacement Parts

For replacement parts for the RDS, please contact RiceCo LLC Customer Service at (901)260-5401 or info@RiceCoLLC.com.

Restrictions

When dispensing RiceCo LLC Dry Flowable products the RDS is required to be used. The RDS is not authorized for use in dispensing any other dry flowable product unless authorized by RiceCo LLC.

Do not use the RDS to dispense liquid products.

Prior to each use, ensure the RDS is in proper working condition. If damage is noticed, replace any damaged components prior to use (see Replacement Parts section of this label).

BROADCAST RATE

Apply 3¾ pounds of **SuperWHAM! 80 DF -CA** per acre when most grasses have reached 1 to

3-leaf stage. Use 5 to 7½ pounds of **SuperWHAM! 80 DF -CA** per acre when the grasses are large (4 to 6-leaf stage) or when unseasonably cool weather conditions prevail, grass and broadleaf weeds are stressed due to dry conditions or in cases where the rice fields have not been drained completely and where weeds are large enough.

Barnyardgrass may be controlled up to 30 to 45 days after planting, before rice plants have reached the fully tillered growth stage.

NOTE: SuperWHAM! 80 DF -CA applied to rice after the 4-leaf stage may cause visible injury under some climatic conditions. Rice plants usually outgrow such injury.

IN CALIFORNIA: Use only where rice fields are not completely drained or a minimal amount of water remains. If higher water level is desired, relood field after 12 hours and before 7 days of treatment. This will discourage new weed infestations. Do not apply within 14 days before or after insecticide applications. Serious injury to rice may occur.

SPRAY MIXTURE PREPARATION

Wet Spray Application

Thoroughly mix **SuperWHAM! 80 DF-CA** with clean water (water that is free of sediment and agricultural chemicals) in the spray tank. Do not use water from paddies. Only approved drift control agents may be used with **SuperWHAM! 80 DF-CA**. Do not use any other additives except as directed by this label.

To ensure uniform mixing and application, agitate the mixture before application. If the mixture is not sprayed immediately after agitation, reagitate it before application. Always apply **SuperWHAM! 80 DF -CA** spray preparations within 24 hours of product mixing, or the product may degrade.

Do not store **SuperWHAM! 80 DF-CA** in nurse tanks or any other tanks used to store or transport clean water. Install one-way valves (anti-siphoning devices) on lines and hoses of mixing/loading equipment to prevent contamination of nurse tanks or other clean water sources.

Mixing and application equipment exposed to **SuperWHAM! 80 DF-CA** cannot be used for anything other than rice applications until it has been cleaned according to the procedures in the Sprayer Cleanup section of this label.

Additional Mixing Instructions (wet spray)

1. Fill the tank 1/4 to 1/3 full of clean water.
2. While agitating, add the required amount of **SuperWHAM! 80 DF -CA**.
3. Continue agitation until the **SuperWHAM! 80 DF -CA** is fully dispersed, at least 5 minutes.
4. Once the **SuperWHAM! 80 DF -CA** is fully dispersed, maintain agitation and continue filling the tank with water. The **SuperWHAM! 80 DF -CA** should be thoroughly mixed with water before adding any other material.
5. As the tank is filling, add the required tank mix partner (other labeled rice herbicides, adjuvants, drift control agents, etc.).

6. If the mixture is not continuously agitated, settling may occur. If settling occurs, thoroughly re-agitate before using.
7. Apply **SuperWHAM! 80 D -CA** spray preparations within 24 hours of product mixing, or the product may degrade.

If **SuperWHAM! 80 DF-CA** and a tank mix partner are to be applied in multiple loads, pre-slurry the **SuperWHAM! 80 DF-CA** in clean water prior to adding to the tank. This will prevent the tank mix partner from interfering with the dissolution of the **SuperWHAM! 80 DF-CA**.

SPRAYER CLEANUP

Before using equipment exposed to **SuperWHAM! 80 DF-CA** to treat another crop, clean the sprayer and any other equipment (loading hoses, batch tanks, etc.) using the following procedure:

1. Steam clean tank using a nonchlorine-based detergent, taking care to remove all physical residues.
2. Thoroughly rinse sprayer, tanks, boom, and hoses with clean water (free of sediment and agricultural chemicals).
3. Fill the tank one-half full with clean water and add Nutrasol at 32 oz per 100 gal of water. Fill the tank to capacity with clean water. Flush the nozzles, boom, and hoses, and agitate (and recirculate, if possible) the sprayer for 25 minutes. Drain the equipment, taking care to flush the boom and hoses thoroughly.
4. Rinse tanks, hoses and nozzles with clean water to remove Nutrasol.
5. Fill the tank one-half full with clean water and add 1 gal of 21% ammonia or 7 gal of 3% ammonia per 100 gal of water. Fill the tank to capacity with clean water. Flush the nozzles, boom, and hoses and agitate (recirculate, if possible) the sprayer for 15 minutes. Drain the equipment, taking care to flush the boom and hoses thoroughly.
6. Remove nozzles, screens, and strainers, and clean them separately.
7. Rinse tanks, booms, and hoses with clean water.
8. Repeat steps 5 and 7 an additional 3 times.
9. Rinse tanks, booms, and hoses to remove all traces of ammonia
10. Dispose of the rinsate on site or at an approved waste disposal facility.

NOTE: When applying multiple loads of **SuperWHAM! 80 DF-CA** several days in a row, the following procedure must be performed at the end of each day: partially fill the tank with fresh water, flush the boom and hoses, and allow to sit overnight.

Attention: Do not use chlorine bleach with ammonia. All traces of liquid fertilizer containing ammonia, ammonium nitrate or ammonium sulphate must be rinsed from the mixing and application equipment using water before adding chlorine bleach solution. Failure to do so will release a gas with a musty chlorine odor that can cause eye, nose, and throat and lung irritation. Do not clean equipment in an enclosed area.

Perform cleanup procedures on batch tanks and any other mixing equipment separately from aircraft hoppers. Take care to clean loading hoses and any other equipment or surfaces exposed to **SuperWHAM! 80 DF-CA**.

CONDITIONS OF SALE AND WARRANTY

RiceCo AND SELLER OFFER THIS PRODUCT AND THE BUYER AND USER ACCEPTS THIS PRODUCT UNDER THE FOLLOWING AGREED CONDITIONS OF SALE AND WARRANTY.

The directions for use of this product are believed to be reliable and must be followed carefully. However, it is impossible to take into account all variables and to eliminate all risks associated with its use. Injury or damage may result because of conditions, which are beyond the control of RiceCo or the seller. RiceCo warrants only that this product conforms to the chemical description on the label and is believed to be reasonably fit for the purposes referred to in the Directions for Use when used as directed under normal conditions. To the extent consistent with applicable law RiceCo MAKES NO OTHER EXPRESS OR IMPLIED WARRANTY OF FITNESS OR MERCHANTABILITY OR ANY OTHER EXPRESS OR IMPLIED WARRANTY. To the extent consistent with applicable law, in no case shall RiceCo or the Seller be liable for consequential, special or indirect damage resulting from the use or handling of this product. Any variation or exception from this warranty must be in writing and signed by an authorized RiceCo representative.



RiceCo LLC
5100 Poplar Avenue, Suite 2428
Memphis, TN 38137 USA

SuperWHAM! is a registered trademark of RiceCo LLC

CA LABEL

APPROVED 11/15/12